

**lapalma** QUICK SHIP

Lapalma presents its Quickship Program:  
a selection of our most popular seating and  
tables—available to ship within 10 working days.

For more information, please contact your local rep  
or Lapalma sales office: [info@lapalma.it](mailto:info@lapalma.it)

**lapalma** QUICK SHIP

chairs

---



**seela | S310**

stackable with sled base



**seela | S311**

stackable with 4-legged base

stools

---



**lem | S79**

stool H25"÷29" mat chromed gas lift



**lem | S80**

stool H29"÷34" mat chromed gas lift



**miunn | S104\_65**

35" seat height



**miunn | S104\_75**

39" seat height

tables

---



**brio | H52 - 70**

height adjustable table H20½"÷27½" with round top Ø27½" or Ø31½"



**brio | H72**

table H28¼" with round top Ø27½" or Ø31½"



**brio | H72 - 102**

height adjustable table H28¼"÷40" with round top Ø27½" or Ø31½"



**brio | H110**

table H43¼" with round top Ø27½" or Ø31½"



**yo | t80**

height adjustable side table H20½"÷27½"



**yo | t80r**

height adjustable side table H20½"÷27½"



**jey | t40**

side table H17¾"



**jey | t41**

side table H19¾" with handle

# SEELA

QUICK SHIP SELECTION

Antti Kotilainen | 2018

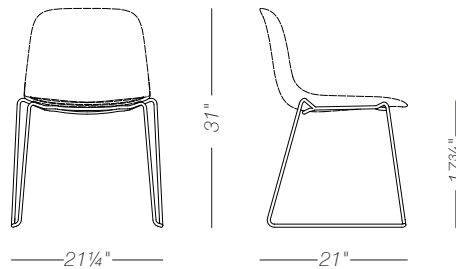
Shell in polypropylene with integrated seamless seat pad in polypropylene or wood, easily removable with 4 screws and replaceable. Stackable sled base in steel rod either mat chromed or powder coated.

## CERTIFICATION

TEST EN 1728:2012 AC:2013 6.17 - EN 16139:2013 - L2 extreme  
TEST Fire resistance - class 1 - PP



## VERSIONS AVAILABLE IN QUICK SHIP



### S310 | AS310W + AS330S2VS

stacking sled base powder coated white  
PP white shell  
seat pad blanch oak



### S310 | AS310W + AS330S2D1

stacking sled base powder coated white  
PP white shell  
seat pad PP black

### S310 | AS310W + AS330S2D2

stacking sled base powder coated white  
PP white shell  
seat pad PP white



### S310 | AS310W + AS330S1VS

stacking sled base powder coated white  
PP black shell  
seat pad blanch oak

### S310 | AS310W + AS330S1D1

stacking sled base powder coated white  
PP black shell  
seat pad PP black

### S310 | AS310W + AS330S1D2

stacking sled base powder coated white  
PP black shell  
seat pad PP white

for more finishes and configurations visit the product page at  
<https://www.lapalma.it/en/families/seela/s310>



**S310 | AS310N + AS330S2VS**

stacking sled base powder coated black  
PP white shell  
seat pad blanché oak



**S310 | AS310N + AS330S2D1**

stacking sled base powder coated black  
PP white shell  
seat pad PP black



**S310 | AS310N + AS330S2D2**

stacking sled base powder coated black  
PP white shell  
seat pad PP white



**S310 | AS310N + AS330S1VS**

stacking sled base powder coated black  
PP black shell  
seat pad blanché oak



**S310 | AS310N + AS330S1D1**

stacking sled base powder coated black  
PP black shell  
seat pad PP black



**S310 | AS310N + AS330S1D2**

stacking sled base powder coated black  
PP black shell  
seat pad PP white



**S310 | AS310K + S330S2VS**

stacking sled base mat chrome  
PP white shell  
seat pad blanché oak



**S310 | AS310K + AS330S2D1**

stacking sled base mat chrome  
PP white shell  
seat pad PP black



**S310 | AS310K + AS330S2D2**

stacking sled base mat chrome  
PP white shell  
seat pad PP white



**S310 | AS310K + AS330S1VS**

stacking sled base mat chrome  
PP black shell  
seat pad blanché oak



**S310 | AS310K + AS330S1D1**

stacking sled base mat chrome  
PP black shell  
seat pad PP black



**S310 | AS310K + AS330S1D2**

stacking sled base mat chrome  
PP black shell  
seat pad PP white

# SEELA

QUICK SHIP SELECTION

Antti Kotilainen | 2018

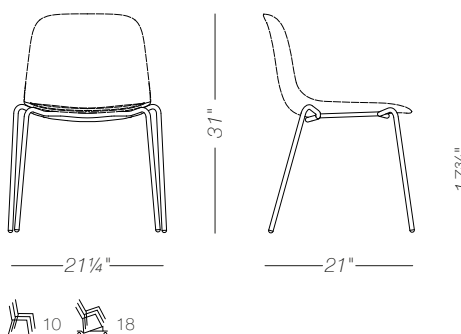
Shell in polypropylene with integrated seamless seatpad in polypropylene or wood, easily removable with 4 screws and replaceable. Stackable with 4-legged base in steel rod either mat chromed or powder coated.

## CERTIFICATION

TEST EN 1728:2012 AC:2013 6.17 - EN 16139:2013 - L2 extreme  
TEST Fire resistance - class 1 - PP



## VERSIONS AVAILABLE IN QUICK SHIP



### S311 | AS311W + AS330S2VS

4 legs stackable powder coated white  
PP white shell  
seat pad blanché oak



### S311 | AS311W + AS330S2D1

4 legs stackable powder coated white  
PP white shell  
seat pad PP black

### S311 | AS311W + AS330S2D2

4 legs stackable powder coated white  
PP white shell  
seat pad PP white



### S311 | AS311W + AS330S1VS

4 legs stackable powder coated white  
PP black shell  
seat pad blanché oak

### S311 | AS311W + AS330S1D1

4 legs stackable powder coated white  
PP black shell  
seat pad PP black

### S311 | AS311W + AS330S1D2

4 legs stackable powder coated white  
PP black shell  
seat pad PP white

for more finishes and configurations visit the product page at <https://www.lapalma.it/en/families/seela/s311>



**S311 | AS311N + AS330S2VS**

4 legs stackable powder coated black  
PP white shell  
seat pad blanch oak



**S311 | AS311N + AS330S2D1**

4 legs stackable powder coated black  
PP white shell  
seat pad PP black



**S311 | AS311N + AS330S2D2**

4 legs stackable powder coated black  
PP white shell  
seat pad PP white



**S311 | AS311N + AS330S1VS**

4 legs stackable powder coated black  
PP black shell  
seat pad blanch oak



**S311 | AS311N + AS330S1D1**

4 legs stackable powder coated black  
PP black shell  
seat pad PP black



**S311 | AS311N + AS330S1D2**

4 legs stackable powder coated black  
PP black shell  
seat pad PP white



**S311 | AS311K + AS330S2VS**

4 legs stackable mat chrome  
PP white shell  
seat pad blanch oak



**S311 | AS311K + AS330S2D1**

4 legs stackable mat chrome  
PP white shell  
seat pad PP black



**S311 | AS311K + AS330S2D2**

4 legs stackable mat chrome  
PP white shell  
seat pad PP white



**S311 | AS311K + AS330S1VS**

4 legs stackable mat chrome  
PP black shell  
seat pad blanch oak



**S311 | AS311K + AS330S1D1**

4 legs stackable mat chrome  
PP black shell  
seat pad PP black



**S311 | AS311K + AS330S1D2**

4 legs stackable mat chrome  
PP black shell  
seat pad PP white

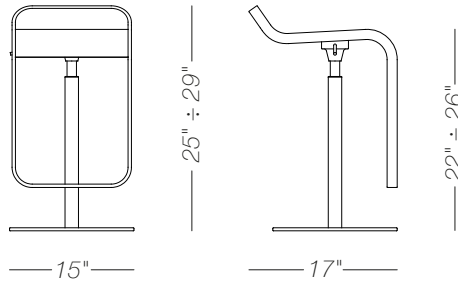
**Shin & Tomoko Azumi** | 2000

Stool with swivel seat and adjustable height with chromed metal frame. Mat chromed piston. Seat in different finishes. Felt under the base.

**CERTIFICATION**

TEST DIN 68 877/81 5.6

**VERSIONS AVAILABLE IN QUICK SHIP**



**S79 | AS79LW**

stool H25"÷29" mat chromed gas lift  
white lacquered seat  
mat chrome frame



**S79 | AS79LN**

stool H25"÷29" mat chromed gas lift  
black lacquered seat  
mat chrome frame



**S79 | AS79VS**

stool H25"÷29" mat chromed gas lift  
blanched oak seat  
mat chrome frame



**S79 | AS79NO**

stool H25"÷29" mat chromed gas lift  
black open pore seat  
mat chrome frame

**S79 | AS79C4**

stool H25"÷29" mat chromed gas lift  
white soft leather  
mat chrome frame

**S79 | AS79C1**

stool H25"÷29" mat chromed gas lift  
black soft leather  
mat chrome frame

for more finishes and configurations visit the product page at <https://www.lapalma.it/en/families/lem/s79-h55-67>



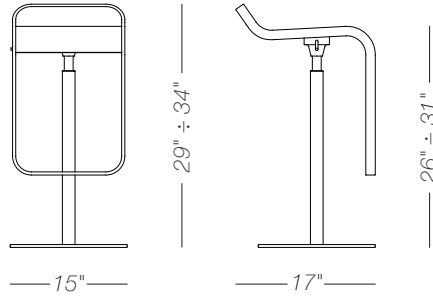
**Shin & Tomoko Azumi** | 2000

Stool with swivel seat and adjustable height with metal frame mat chromed and base covered by a stainless steel sheet Aisi304 "linen fabric" pattern. Mat chromed piston. Seat in several finishes. Felt under the base.

**CERTIFICATION**

TEST DIN 68 877/81 5.6

**VERSIONS AVAILABLE IN QUICK SHIP**



**S80 | AS80LW**

stool H29"÷34" mat chromed gas lift  
white lacquered seat  
mat chrome frame



**S80 | AS80LN**

stool H29"÷34" mat chromed gas lift  
black lacquered seat  
mat chrome frame



**S80 | AS80VS**

stool H29"÷34" mat chromed gas lift  
blanched oak seat  
mat chrome frame



**S80 | AS80NO**

stool H29"÷34" mat chromed gas lift  
black open pore seat  
mat chrome frame

**S80 | AS80C4**

stool H29"÷34" mat chromed gas lift  
white soft leather  
mat chrome frame

**S80 | AS80C1**

stool H29"÷34" mat chromed gas lift  
black soft leather  
mat chrome frame

for more finishes and configurations visit the product page at <https://www.lapalma.it/en/families/lem/s80-h66-79>

**Karri Monni** | 2011

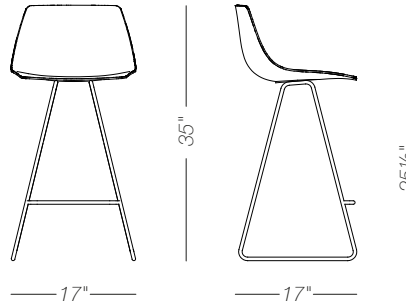
Stool with H25½ seat height with powder coated sled base. Seat formed of a single shell using 3D plywood moulding technology in several wood finishes, or in fire-retardant Baydur® polyurethane white or black lacquered. Glides in polypropylene with insert in felt or plastic.

**CERTIFICATION**

TEST EN 1728:2012 AC:2013 6.4-6.5 - EN 16139:2013 - L2 extreme



**VERSIONS AVAILABLE IN QUICK SHIP**



**S104\_65 | AS104N65BW**

sled base H35"  
black powder coated frame  
Baydur® white shell



**S104\_65 | AS104N65BN**

sled base H35"  
black powder coated frame  
Baydur® black shell

**S104\_65 | AS104N65VS**

sled base H35"  
black powder coated frame  
blanched oak shell

**S104\_65 | S3AS104N65NO**

sled base H35"  
black powder coated frame  
black open pore shell

Karri Monni | 2011

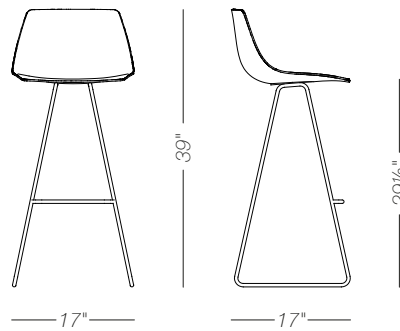
Stool with H29½" seat height with powder coated sled base. Seat formed of a single shell using 3D plywood moulding technology in several wood finishes, or in fire-retardant Baydur® polyurethane white or black lacquered. Glides in polypropylene with insert in felt or plastic.

## CERTIFICATION

TEST EN 1728:2012 AC:2013 6.4-6.5 - EN 16139:2013 - L2 extreme



## VERSIONS AVAILABLE IN QUICK SHIP



### S104\_75 | AS104N75BW

sled base H39"  
black powder coated frame  
Baydur® white shell



### S104\_75 | AS104N75BN

sled base H39"  
black powder coated frame  
Baydur® black shell

### S104\_75 | AS104N75VS

sled base H39"  
blached oak frame  
Baydur® white shell

### S104\_75 | S3AS104N75NO

sled base H39"  
black open pore frame  
Baydur® white shell

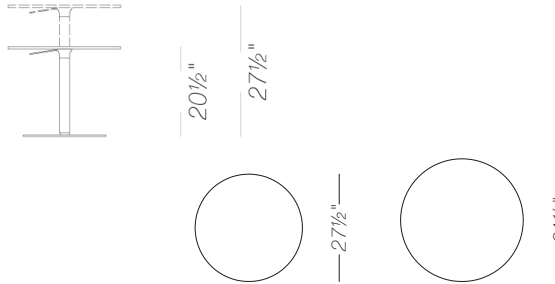
Romano Marcato | 2001

Table available in several heights or height adjustable with round top in several finishes and dimensions. Base covered by a stainless steel sheet "linen fabric" pattern and mat chromed column.

## CERTIFICATION



## VERSIONS AVAILABLE IN QUICK SHIP



### H52 - 70 | AP69K + AP82HFN + AP59

height-adjustable table H20½" ÷ 27½"  
with round top Ø27½"  
stainless steel base  
black fenix top



### H52 - 70 | AP69K + AP82HFW + AP59

height-adjustable table H20½" ÷ 27½"  
with round top Ø27½"  
stainless steel base  
white fenix top

### H52 - 70 | AP69K + AP83HFN + AP59

height-adjustable table H20½" ÷ 27½"  
with round top Ø31½"  
stainless steel base  
black fenix top

### H52 - 70 | AP69K + AP83HFW + AP59

height-adjustable table H20½" ÷ 27½"  
with round top Ø31½"  
stainless steel base  
white fenix top

**Romano Marcato** | 2001

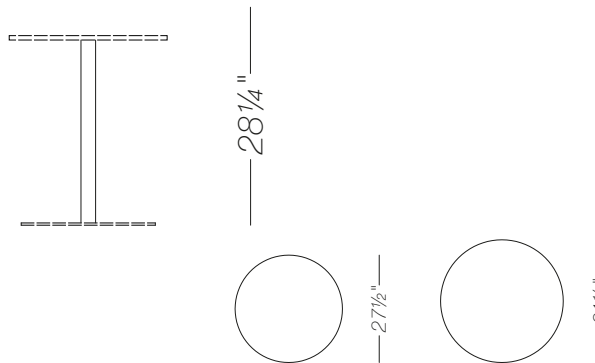
Table available in several heights or height adjustable with round top in several finishes and dimensions. Base covered by a stainless steel sheet "linen fabric" pattern and mat chromed column.

## CERTIFICATION

TEST EN 1730:2000 6.3 - EN 15372:2008 - L3  
TEST EN 1730:2000 6.7 - UNI 10976/2002 - L5



## VERSIONS AVAILABLE IN QUICK SHIP



### H72 | AP81K + AP82HFN + AP59

table H28 1/4" with round top Ø27 1/2"  
stainless steel base  
black fenix top



### H72 | AP81K + AP82HFW + AP59

table H28 1/4" with round top Ø27 1/2"  
stainless steel base  
white fenix top

### H72 | AP81K + AP83HFN + AP59

table H28 1/4" with round top Ø31 1/2"  
stainless steel base  
black fenix top

### H72 | AP81K + AP83HFW + AP59

table H28 1/4" with round top Ø31 1/2"  
stainless steel base  
white fenix top

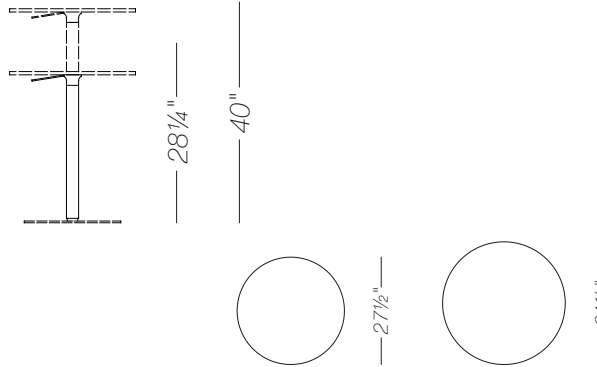
Romano Marcato | 2001

Table available in several heights or height adjustable with round or square top in several finishes and dimensions. Base covered by a stainless steel sheet "linen fabric" pattern and mat chromed column or entirely powder coated black or white.

## CERTIFICATION



## VERSIONS AVAILABLE IN QUICK SHIP



### H72 - 102 | AP70K + AP82HFN + AP59

height-adjustable table H28 $\frac{1}{4}$ " ÷ 40"  
with round top Ø27 $\frac{1}{2}$ "  
stainless steel column  
black powder coated



### H72 - 102 | AP70K + AP82HFW + AP59

height-adjustable table H28 $\frac{1}{4}$ " ÷ 40"  
with round top Ø27 $\frac{1}{2}$ "  
stainless steel column  
white powder coated



### H72 - 102 | AP70K + AP83HFN + AP59

height-adjustable table H28 $\frac{1}{4}$ " ÷ 40"  
with round top Ø31 $\frac{1}{2}$ "  
stainless steel column  
black powder coated



### H72 - 102 | AP70K + AP83HFW + AP59

height-adjustable table H28 $\frac{1}{4}$ " ÷ 40"  
with round top Ø31 $\frac{1}{2}$ "  
stainless steel column  
white powder coated

Romano Marcato | 2001

Table available in several heights or height adjustable with round or square top in several finishes and dimensions. Base covered by a stainless steel sheet "linen fabric" pattern and mat chromed column or entirely powder coated black or white.

## CERTIFICATION

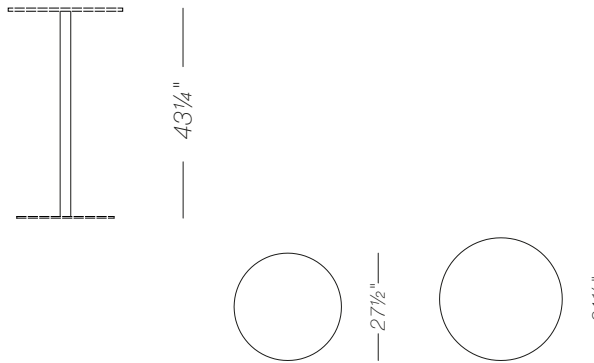
TEST EN 1730:2000 6.3 - EN 15372:2008 - L3  
 TEST EN 1730:2000 6.7 - UNI 10976/2002 - L5



### H110 | AP83K + AP82HFN + AP59

high table H43¼" with round top Ø27½"  
 stainless steel column  
 black powder coated

## VERSIONS AVAILABLE IN QUICK SHIP



### H110 | AP83K + AP82HFW + AP59

high table H43¼" with round top Ø27½"  
 stainless steel column  
 white powder coated



### H110 | AP83K + AP83HFN + AP59

high table H43¼" with round top Ø31½"  
 stainless steel column  
 black powder coated



### H110 | AP83K + AP83HFW + AP59

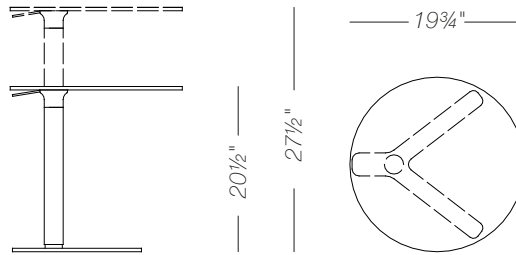
high table H43¼" with round top Ø31½"  
 stainless steel column  
 white powder coated

**Romano Marcato** | 2016

Height adjustable side table with block-lift for the top. Metal base, column and fixing plate powder coated. Round top in HPL Fenix® 10 mm. Felt glides under the base.

**CERTIFICATION**

TEST EN 1730:2012 6.3 - EN 15372 - L2

**VERSIONS AVAILABLE IN QUICK SHIP****t80 | AT80N + AT80HFN**

height adjustable side table H20½"÷27½"  
HPL Fenix® black round top  
black powder coated frame

**t80 | AT80W + AT80HFW**

height adjustable side table H20½"÷27½"  
HPL Fenix® white round top  
white powder coated frame

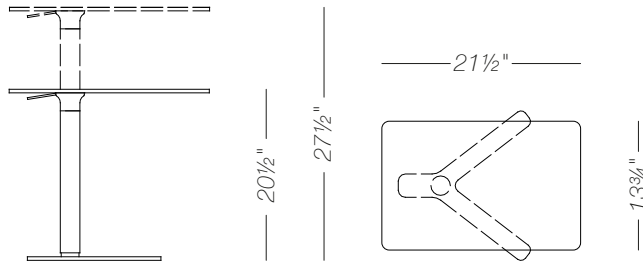


**Romano Marcato** | 2016

Height adjustable side table with block-lift for the top. Metal base, column and fixing plate powder coated. Rectangular top in HPL Fenix® 10 mm. Felt glides under the base.

**CERTIFICATION**

TEST EN 1730:2012 6.3 - EN 15372 - L2

**VERSIONS AVAILABLE IN QUICK SHIP****t80r | AT80N + AT80EHFN**

height adjustable side table H20 $\frac{1}{2}$ " ÷ 27 $\frac{1}{2}$ "  
HPL Fenix® black rectangular top  
black powder coated frame

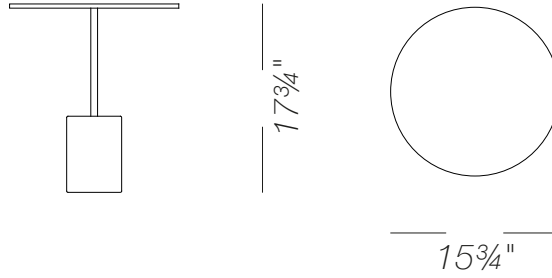
**t80r | AT80W + AT80EHFW**

height adjustable side table H20 $\frac{1}{2}$ " ÷ 27 $\frac{1}{2}$ "  
HPL Fenix® white rectangular top  
white powder coated frame

**Francesco Rota** | 2016

Occasional side table with white Carrara marble base or black Marquinia. Stem in powder coated steel. Felt under the base. Round top in black or white HPL Fenix®.

**VERSIONS AVAILABLE IN QUICK SHIP**



**T40 | AT40WC + AP40HFW1**

side table H17<sup>3</sup>/<sub>4</sub>"  
HPL Fenix® white round top  
white Carrara marble base



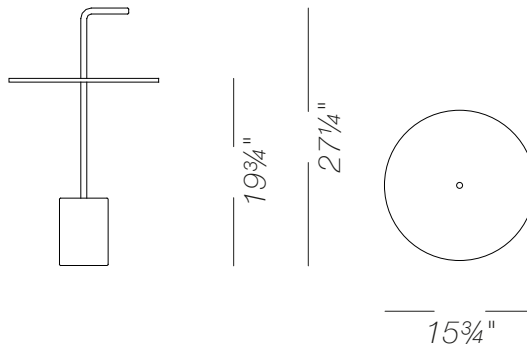
**T40 | AT40WM + AP40HFN1**

side table H17<sup>3</sup>/<sub>4</sub>"  
HPL Fenix® black round top  
black Carrara marble base

**Francesco Rota** | 2016

Occasional side table with white Carrara marble base or black Marquinia. Stem and handle in powder coated steel. Felt under the base. Round top in black or white HPL Fenix®.

**VERSIONS AVAILABLE IN QUICK SHIP**



**T41 | T41WC + P41HFW1**

side table H19 3/4"  
HPL Fenix® white round top  
white Carrara marble base



**T41 | T41WM + P41HFN1**

side table H19 3/4"  
HPL Fenix® black round top  
black Carrara marble base

# lapalma

via majorana 26  
35010 Cadoneghe (PD), Italy  
t.: +39 049 702788  
info@lapalma.it  
www.lapalma.it